



WYNDAMERE - Wide Spread Faucet WYMWxxBL

Description

- 8" wide spread faucet
- Ceramic disc cartridges
- Solid brass construction
- 1/2" S.S. braided hose
- Brass popup

Standards

- ASME A112.18.1 Compliant
- Listed IAPMO / UPC & CUPC
- ADA Accessibility Guidelines for Buildings and Facilities - 4.27.4 Controls and Mechanisms (lever handle only)
- NSF - 61-9 tested and approved
- CSA B125.1 Compliant and listed



Colors / FinishES

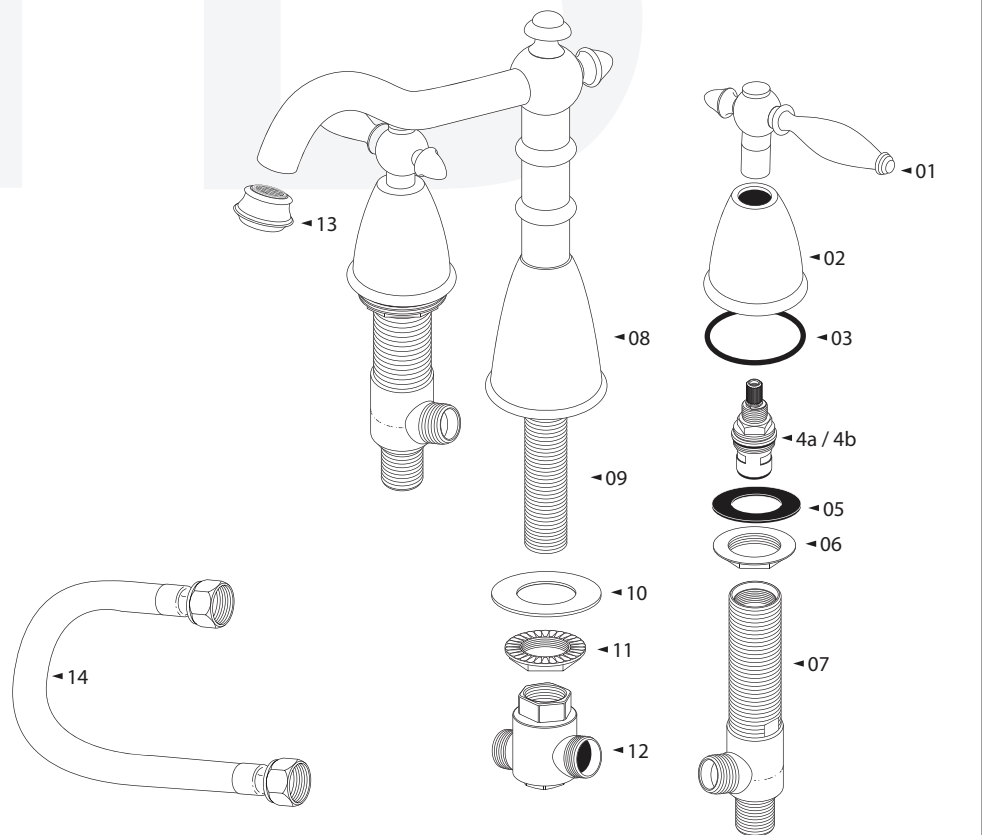
- | | |
|----------------------------|-----------------------------------|
| 01 - Chrome | 29 - Polished Nickel |
| 12 - Satin Nickel | 70 - Polished Brass (PVD) |
| 20 - Antique Bronze | 71 - Polished Nickel (PVD) |
| 21 - Antique Brass | 72 - Satin Nickel (PVD) |
| 22 - Antique nickel | 73 - Satin Brass (PVD) |
| 23 - Antique Copper | |
| 24 - Satin Copper | |
| 27 - Matte Nickel | |
| 28 - ORB | |

Please add finish code when placing order for parts with using following finish code table. For example J handle in Chrome will be BJ-01, BJ-12 for Satin Nickel.

Special Handle & Escutcheon Option
N/A

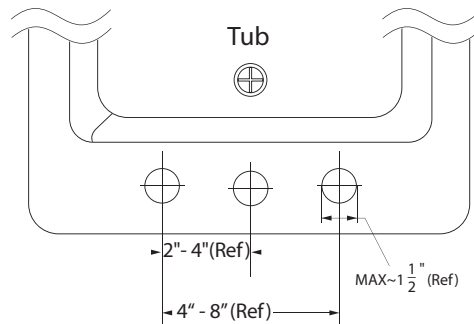
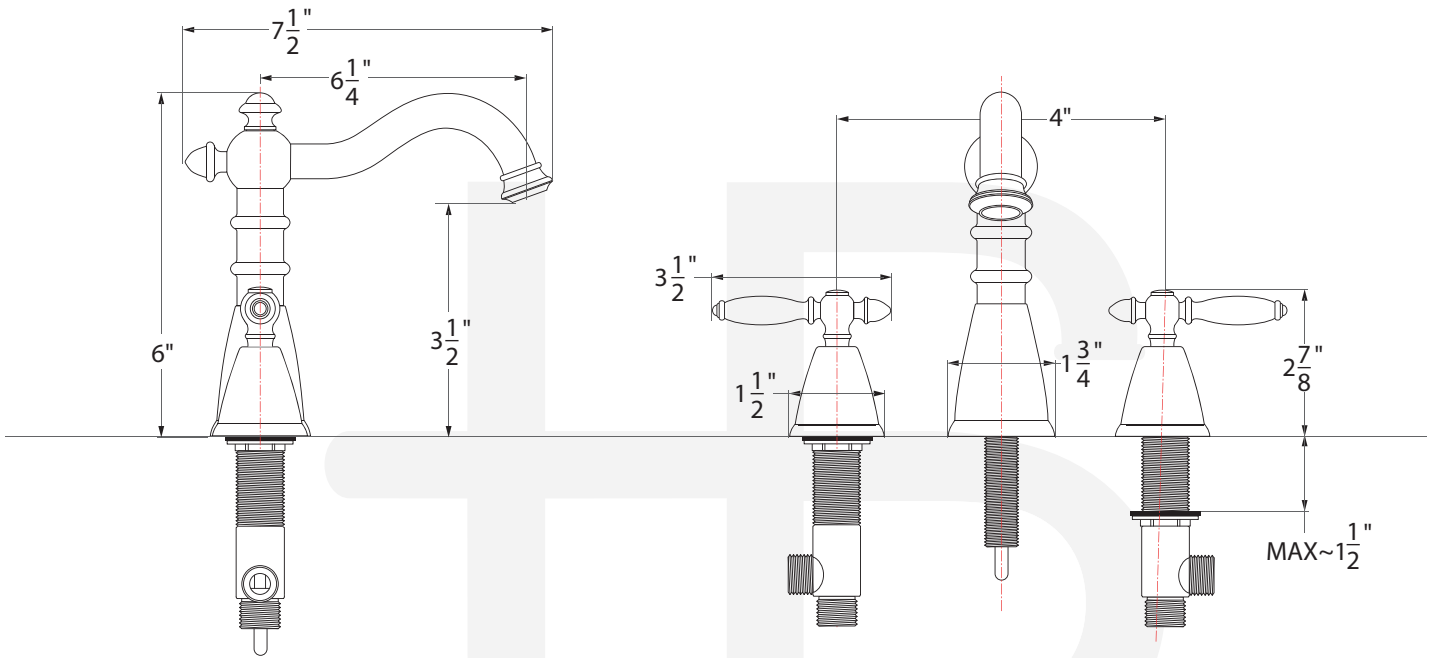
BREAK DOWN Component Parts List

#	PART NAME	QTY
1	HANDLE TIP	2
2	ESCUTCHEON	2
3	RUBBER RING	2
4a	CARTRIDGE (COLD)	1
4b	CARTRIDGE (HOT)	1
5	WASHER	2
6	LOCK NUT	2
7	VALVE BODY	1
8	SPOUT	1
9	QUICK CONNECT SHANK	1
10	WASHER	1
11	LOCK NUT	1
12	T-CONNECTOR	1
13	AERATOR	1
14	HOSE	2



→05
→06

SPECIFICATIONS



Item Number	Type	Date
WYMW	Wide Spread	07/29/2005