

TOPZERO®

MODEL

TZ RS660

TOPZERO TYPE

Rimless Sink with undermounting brackets

GENERAL

Fine quality sink bowls formed of 18 gauge BA 304 18/10 nickel bearing stainless steel.

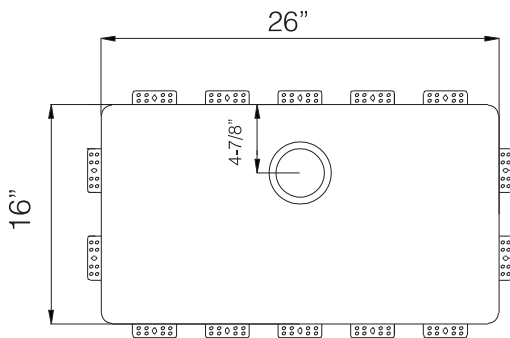
DESIGN FEATURES

Bowl Depth : 10"
Finish : Soft Satin Finish
Underside : Sound absorbing pads and special paint
Drain Opening : 3-1/2"

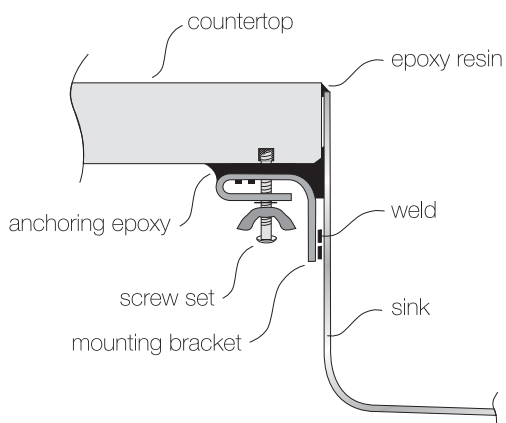
OPTIONAL ACCESSORIES

Stainless Steel Bottom Grid
Bamboo Cutting Board
Glass Cutting Board
Stainless Steel Colander

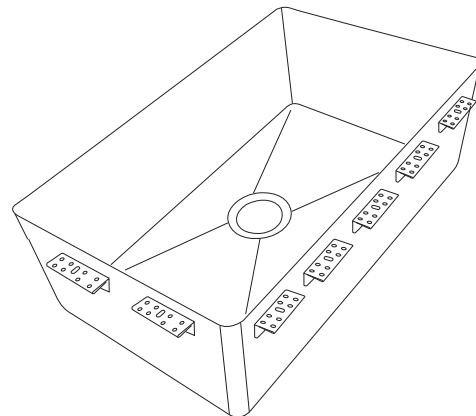
SINK DIMENSIONS (INCHES)



INSTALLATION PROFILE *



SPECIFICATIONS



"U.S. and Foreign Patents Pending"



*Check "TopZero Seamless Undermount Sink Installation" video on [YouTube](#)