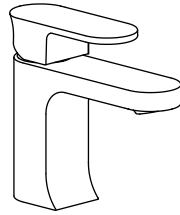
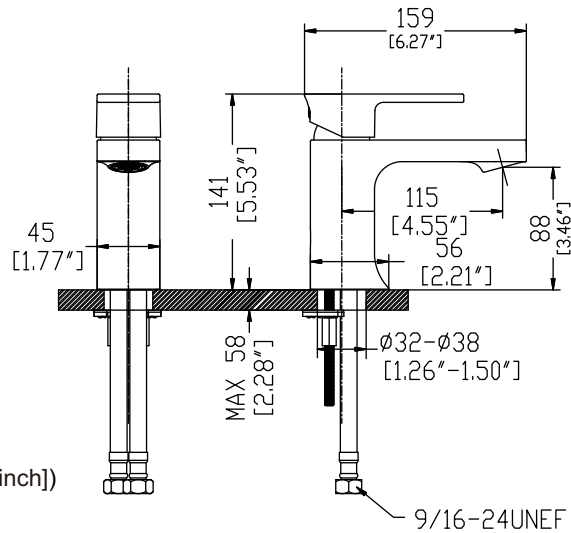


PRODUCT TECHNICAL SHEET

PC-ROSE-CH/SN/ORB SINGLE HOLE LAVATORY FAUCET



DIMENSIONS



■ For Reference only (unit = mm[inch])

TECHNICAL DETAILS

Please read the followings before installing and usage.

1 Description

- Metal handle
- Solid brass construction
- Ceramic disc Cartridge

3 Certificate



2 Technique Parameter

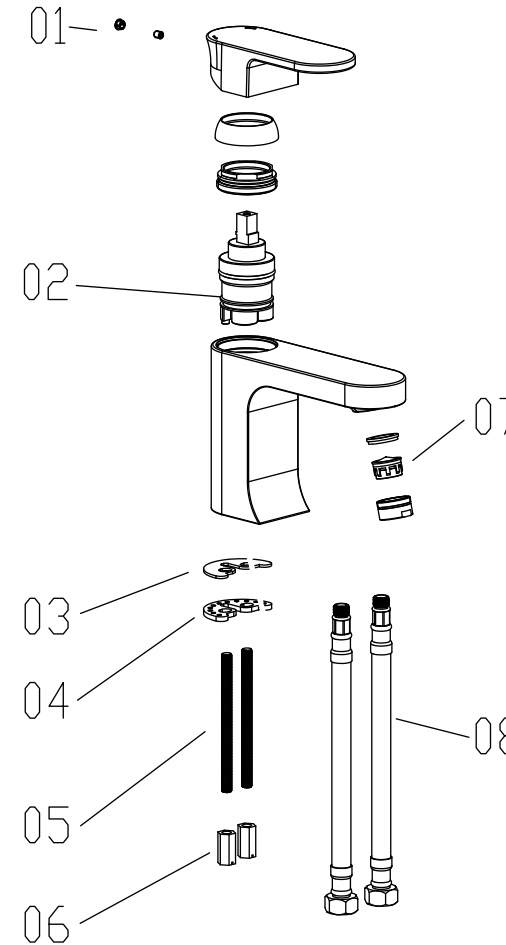
| Parameter | Water Pressure | Water Temperature |
|-------------------------------|----------------|-------------------|
| ASME A112.18.1/ CSA B125.1 | 20-80PSI | 10-65°C |
| EN817 | 0.1-0.5MPa | 10-65°C |

4 Surface maintenance

Remove any surface dirt and film using clean water and cotton cloth.
Spray cleaner such as mild liquid detergents, clear liquid glass cleaner, non-acidic and fully dissolved powder cleaners or non-abrasive liquid polishers on the rag to clean the faucet surface.
Once clean, rinse faucet again with clear water to thoroughly remove cleaner and dry with soft cotton cloth.

EXPLODED DRAWING

Please read the followings before installing and usage.



| NO. | Description | Part No. | Qty |
|-----|-------------------|----------|-----|
| 01 | CAP | CTCP0072 | 1 |
| 02 | CARTRIDGE | ATBA0166 | 1 |
| 03 | GASKET | CTWR0028 | 1 |
| 04 | PACKING | CTWT0059 | 1 |
| 05 | SCREW | CTST0013 | 2 |
| 06 | NUT | CTNB0063 | 2 |
| 07 | AERATOR | ATBX0031 | 1 |
| 08 | HOSE(9/16-24UNEF) | ATBP0383 | 2 |

■ Notes: For reference only. We reserve the right to make changes without any notice.



Professional Home Supply, LLC.
4986 113th Ave. N Clearwater. FL 33760
(727) 433-8776
www.prohs.com