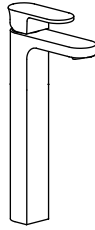
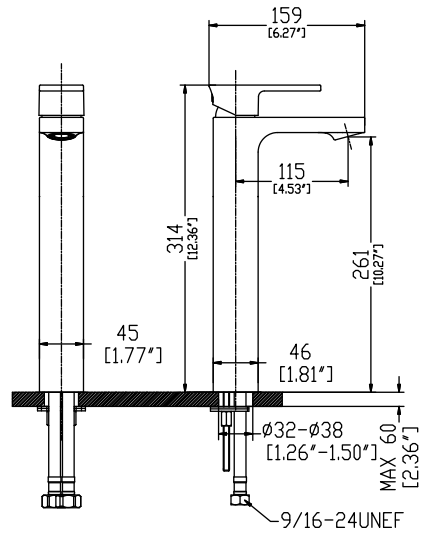


# PRODUCT TECHNICAL SHEET

## PC-ROSE-VESSEL-CH/SN/ORB SINGLE HOLE VESSEL LAVATORY FAUCET



### DIMENSIONS



■ For Reference only (unit = mm[inch])

### TECHNICAL DETAILS

Please read the followings before installing and usage.

#### 1 Description

- Metal handle
- Solid brass construction
- Ceramic disc Cartridge

#### 3 Certificate



#### 2 Technique Parameter

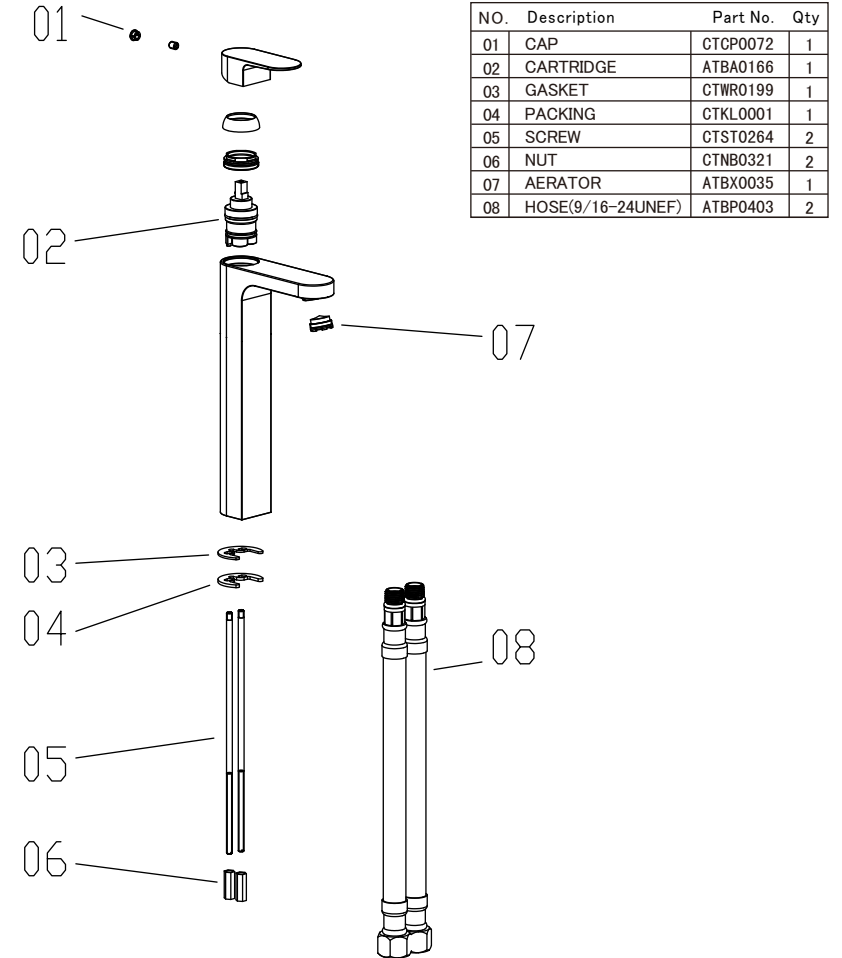
Parameter	Water Pressure	Water Temperature
ASME A112.18.1/ CSA B125.1	20-80PSI	10-65°C
EN817	0.1-0.5MPa	10-65°C

#### 4 Surface maintenance

Remove any surface dirt and film using clean water and cotton cloth.  
Spray cleaner such as mild liquid detergents, clear liquid glass cleaner, non-acidic and fully dissolved powder cleaners or non-abrasive liquid polishers on the rag to clean the faucet surface.  
Once clean, rinse faucet again with clear water to thoroughly remove cleaner and dry with soft cotton cloth.

### EXPLODED DRAWING

Please read the followings before installing and usage.



NO.	Description	Part No.	Qty
01	CAP	CTCP0072	1
02	CARTRIDGE	ATBA0166	1
03	GASKET	CTWR0199	1
04	PACKING	CTKL0001	1
05	SCREW	CTST0264	2
06	NUT	CTNB0321	2
07	AERATOR	ATBX0035	1
08	HOSE(9/16-24UNEF)	ATBP0403	2

■ Notes: For reference only. We reserve the right to make changes without any notice.



Professional Home Supply, LLC.  
4986 113th Ave. N Clearwater. FL 33760  
( 727 ) 433-8776  
[www.prohs.com](http://www.prohs.com)