



PRO 24

**TWO-PIECE CLOSED COUPLE, ELONGATED BOWL,
12" ROUGH IN, GRAVITY FEED
ELONGATED TOILET WITH SECONDARY DRAIN SYSTEM
VITREOUS CHINA**

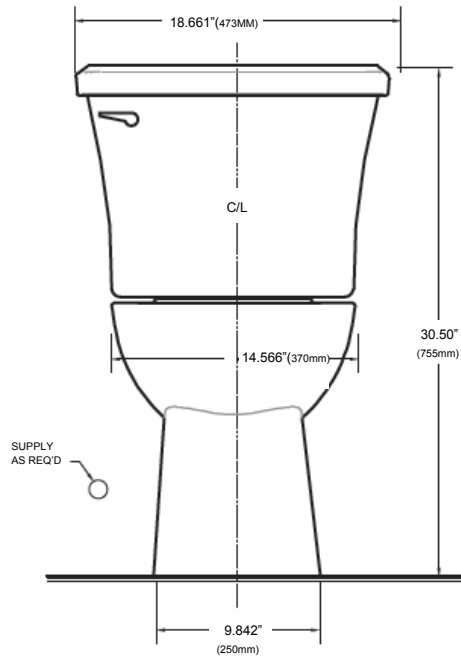
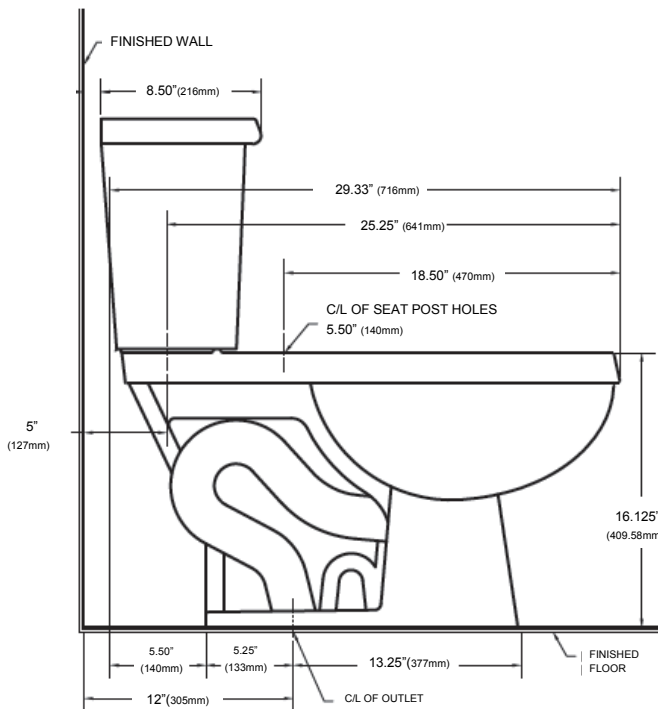
FEATURES:

- Exclusive Penguin Protection: secondary drain system that helps protect against toilet overflows
- HET 1.28gal/ 4.8Liter per flush WATERSENSE LISTED
- Drop in replacement for existing toilets with 12" rough-in
- New taller elongated bowl design that meet ADA with approved seat
- Fluidmaster PRO SERIES 3" flushing system
- Fluidmaster PRO 45 fill valve
- Fully glazed trapway with Sani-Glaze
- Left hand trip lever



APPLICABLE CODES & STANDARDS:

- ASME A112.19.2
- IGC 252-07
- CSA B45-02 (Supplement No. 1-2004)
- IAPMO/ UPC
- ADA Compliant



NOTES:

THIS TOILET IS DESIGNED TO ROUGH-IN AT MINIMUM DIMENSIONS OF 12"(305MM) FROM FINISHED WALL TO C/L OF OUTLET. SUPPLY NOT INCLUDED WITH FIXTURE AND MUST BE ORDERED SEPARATELY.

*DIMENSION SHOWN FOR LOCATION OF SUPPLY IS SUGGESTED. FOR ADDITIONAL INFORMATION REFER TO INSTALLATION INSTRUCTIONS SUPPLIED.

28525 Beck Road, Suite 121, Wixom, MI 48393
www.penguintoilets.com

