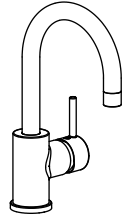
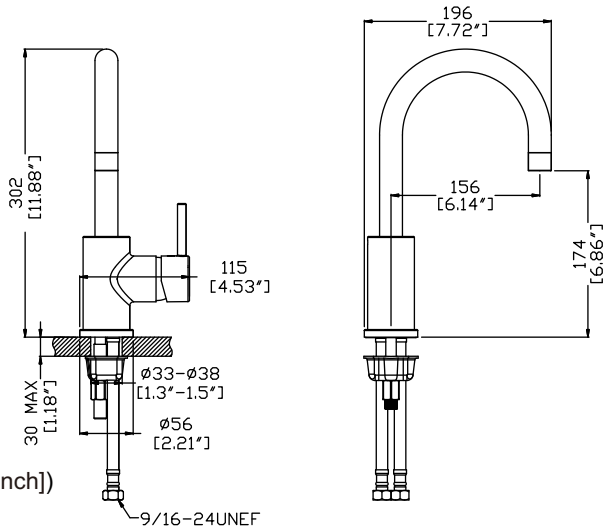


# PRODUCT TECHNICAL SHEET

## PC-PEONY-CH/SN/ORB KITCHEN GOOSENECK FAUCET



### DIMENSIONS



■ For Reference only (unit = mm[inch])

### TECHNICAL DETAILS

Please read the followings before installing and usage.

#### 1 Description

- Metal handle
- Solid brass construction
- Ceramic disc Cartridge
- Swiveling spout

#### 3 Certificate



#### 2 Technique Parameter

Parameter	Water Pressure	Water Temperature
Market		
ASME A112.18.1/ CSA B125.1	20-80PSI	10-65°C
EN817	0.1-0.5MPa	10-65°C

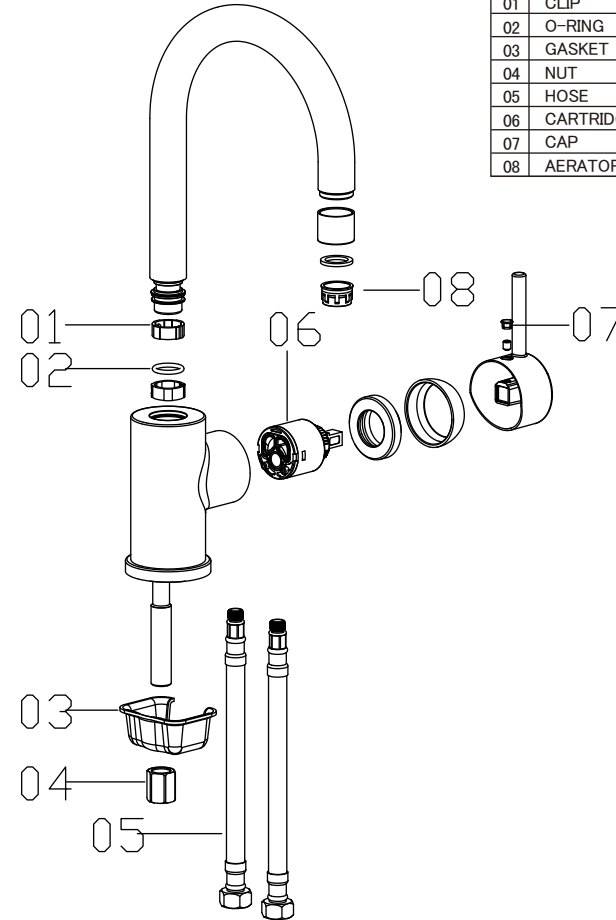
#### 4 Surface maintenance

Remove any surface dirt and film using clean water and cotton cloth.  
Spray cleaner such as mild liquid detergents, clear liquid glass cleaner, non-acidic and fully dissolved powder cleaners or non-abrasive liquid polishers on the rag to clean the faucet surface.  
Once clean, rinse faucet again with clear water to thoroughly remove cleaner and dry with soft cotton cloth.

### EXPLODED DRAWING

Please read the followings before installing and usage.

NO.	Description	Part No.	Qty
01	CLIP	CTRP0081	2
02	O-RING	CTRR0181	1
03	GASKET	CTLT0023	1
04	NUT	CTNB0365	1
05	HOSE	ATBP0422	2
06	CARTRIDGE	ATBA0161	1
07	CAP	CTCP0072	1
08	AERATOR	ATBX0088	1



■ Notes: For reference only. We reserve the right to make changes without any notice.



Professional Home Supply, LLC.  
4986 113th Ave. N Clearwater. FL 33760  
( 727 ) 433-8776  
[www.prohs.com](http://www.prohs.com)