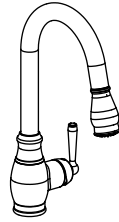


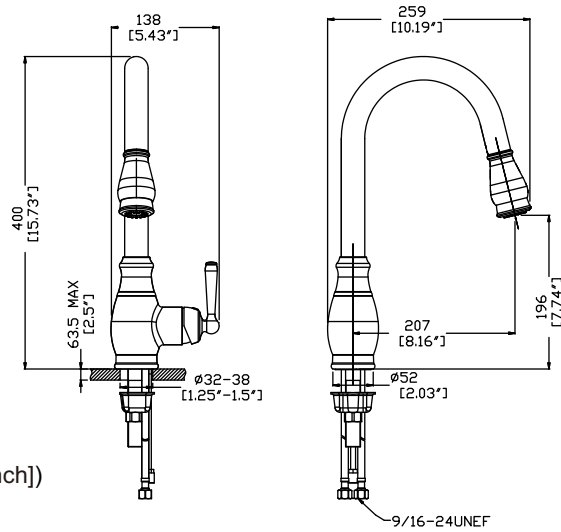
PRODUCT TECHNICAL SHEET

PC-ORCHID-CH/SN/ORB

KITCHEN GOOSENECK PULL DOWN FAUCET



DIMENSIONS



■ For Reference only (unit = mm[inch])

TECHNICAL DETAILS

Please read the followings before installing and usage.

1 Description

- Metal handle
- 360° swing spout
- Metal construction
- Ceramic disc Cartridge
- 2 setting pull down spray

2 Technique Parameter

Parameter	Water Pressure	Water Temperature
Market		
ASME A112.18.1/ CSA B125.1	20-80PSI	10-65°C
EN817	0.1-0.5MPa	10-65°C

3 Certificate



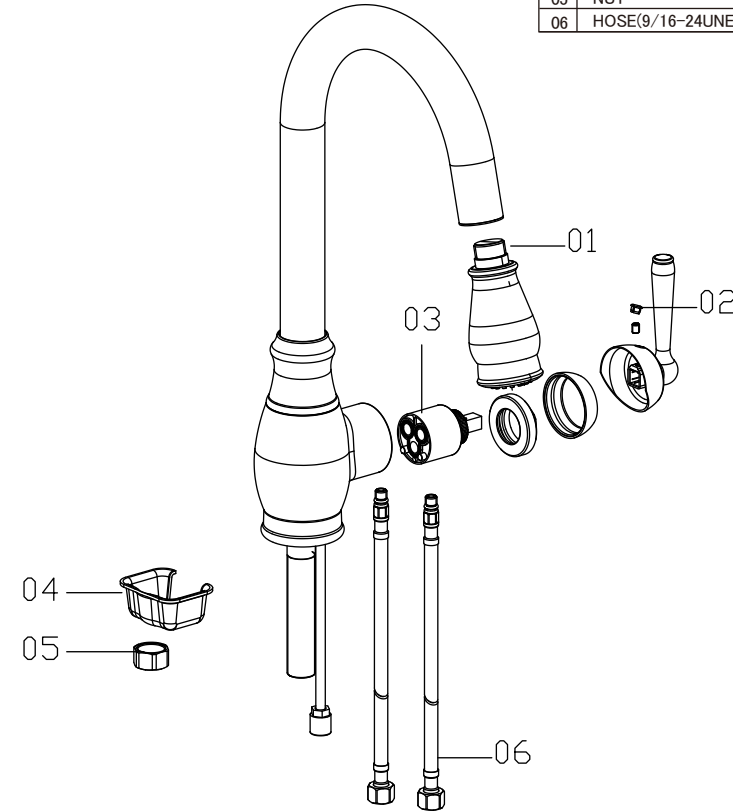
4 Surface maintenance

Remove any surface dirt and film using clean water and cotton cloth.
 Spray cleaner such as mild liquid detergents, clear liquid glass cleaner, non-acidic and fully dissolved powder cleaners or non-abrasive liquid polishers on the rag to clean the faucet surface.
 Once clean, rinse faucet again with clear water to thoroughly remove cleaner and dry with soft cotton cloth.

EXPLODED DRAWING

Please read the followings before installing and usage.

NO.	Description	Part No.	Qty
01	SHOWER	ATBE0163	1
02	CAP	CTCP0072	1
03	CARTRIDGE	ATBA0161	1
04	GASKET	CTLT0020	1
05	NUT	CTNB0276	1
06	HOSE(9/16-24UNEF)	ATBP1018	2



■ Notes: For reference only. We reserve the right to make changes without any notice.



Professional Home Supply, LLC.
 4986 113th Ave. N Clearwater. FL 33760
 (727) 433-8776
www.prohs.com