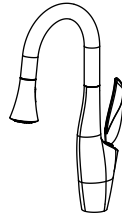
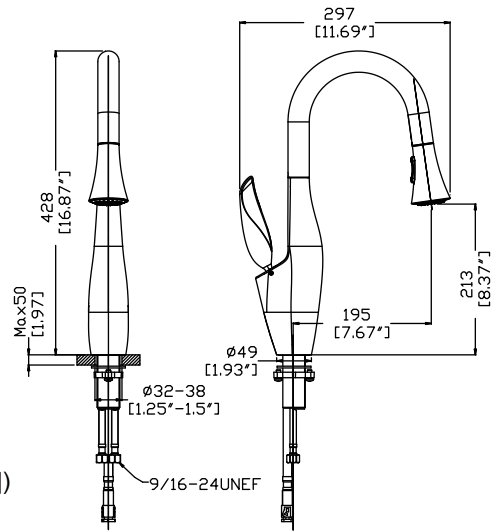


PRODUCT TECHNICAL SHEET

PC-HONEYSUCKLE-CH/SN/ORB KITCHEN GOOSENECK PULL DOWN FAUCET



DIMENSIONS



■ For Reference only (unit = mm[inch])

TECHNICAL DETAILS

Please read the followings before installing and usage.

1 Description

- Metal handle
- 360° swing spout
- Solid brass construction
- Ceramic disc Cartridge
- 2 setting pull down spray

2 Technique Parameter

Parameter	Water Pressure	Water Temperature
Market		
ASME A112.18.1/ CSA B125.1	20-80PSI	10-65°C
EN817	0.1-0.5MPa	10-65°C

3 Certificate



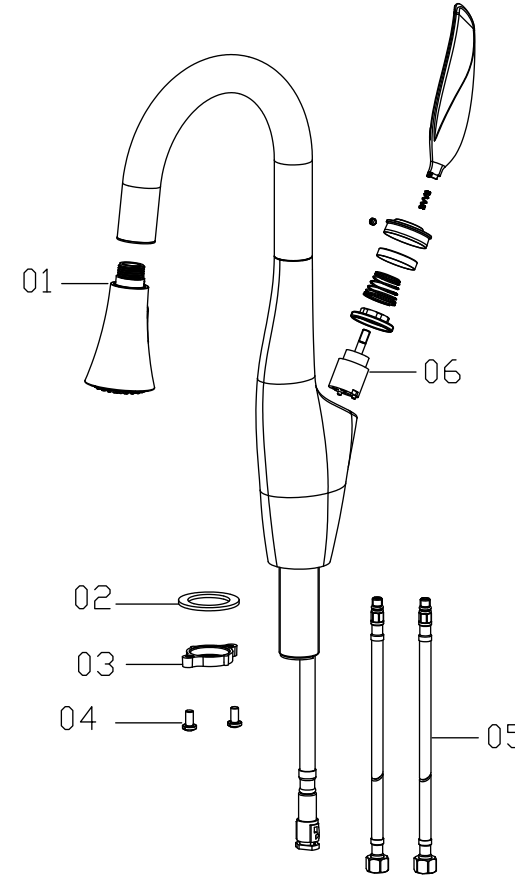
4 Surface maintenance

Remove any surface dirt and film using clean water and cotton cloth.
Spray cleaner such as mild liquid detergents, clear liquid glass cleaner, non-acidic and fully dissolved powder cleaners or non-abrasive liquid polishers on the rag to clean the faucet surface.
Once clean, rinse faucet again with clear water to thoroughly remove cleaner and dry with soft cotton cloth.

EXPLODED DRAWING

Please read the followings before installing and usage.

NO.	Description	Part No.	Qty
01	SHOWER	ATBE0226	1
02	WASHH	CTWT0053	1
03	NUT	CTNB0364	1
04	SCREW	CTST0101	2
05	HOSE(9/16-24UNEF)	ATBP1018	2
06	CARTRIDGE	ATBA0250	1



■ Notes: For reference only. We reserve the right to make changes without any notice.



Professional Home Supply, LLC.
4986 113th Ave. N Clearwater. FL 33760
(727) 433-8776
www.prohs.com