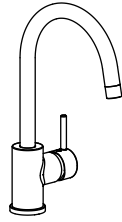
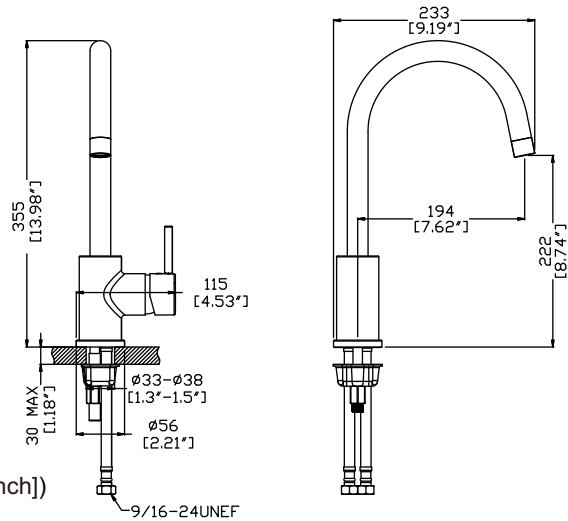


PRODUCT TECHNICAL SHEET

PC-FREESIA-CH/SN/ORB KITCHEN GOOSENECK FAUCET



DIMENSIONS



■ For Reference only (unit = mm[inch])

TECHNICAL DETAILS

Please read the followings before installing and usage.

1 Description

- Metal handle
- 360° swing spout
- Solid brass construction
- Ceramic disc Cartridge

2 Technique Parameter

Parameter	Water Pressure	Water Temperature
ASME A112.18.1/ CSA B125.1	20-80PSI	10-65°C
EN817	0.1-0.5MPa	10-65°C

3 Certificate



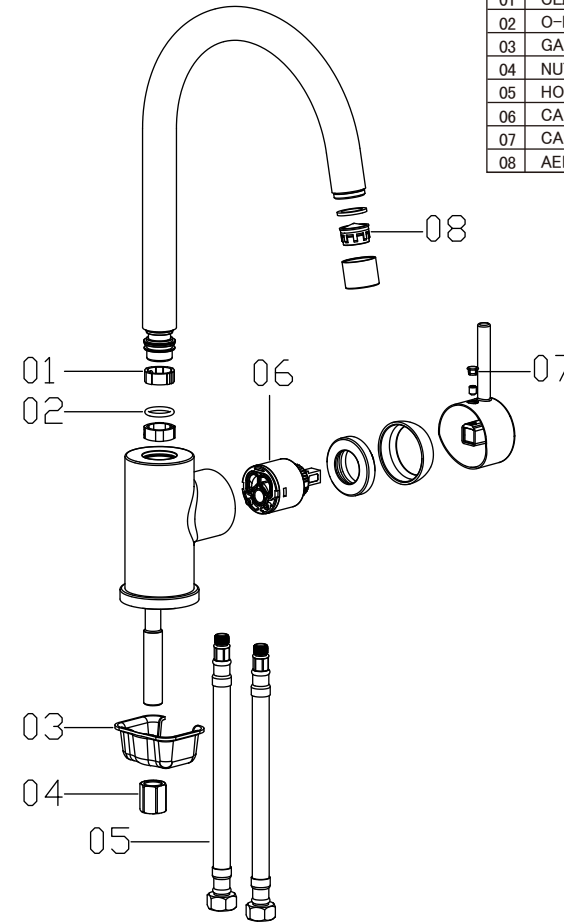
4 Surface maintenance

Remove any surface dirt and film using clean water and cotton cloth.
 Spray cleaner such as mild liquid detergents, clear liquid glass cleaner, non-acidic and fully dissolved powder cleaners or non-abrasive liquid polishers on the rag to clean the faucet surface.
 Once clean, rinse faucet again with clear water to thoroughly remove cleaner and dry with soft cotton cloth.

EXPLODED DRAWING

Please read the followings before installing and usage.

NO.	Description	Part No.	Qty
01	CLIP	CTRP0081	2
02	O-RING	CTRR0181	1
03	GASKET	CTLT0023	1
04	NUT	CTNB0365	1
05	HOSE	ATBP0422	2
06	CARTRIDGE	ATBA0161	1
07	CAP	CTCP0072	1
08	AERATOR	ATBX0088	1



■ Notes: For reference only. We reserve the right to make changes without any notice.



Professional Home Supply, LLC.
 4986 113th Ave. N Clearwater. FL 33760
 (727) 433-8776
www.prohs.com