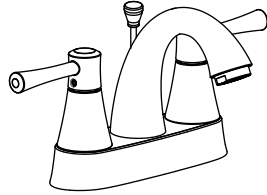
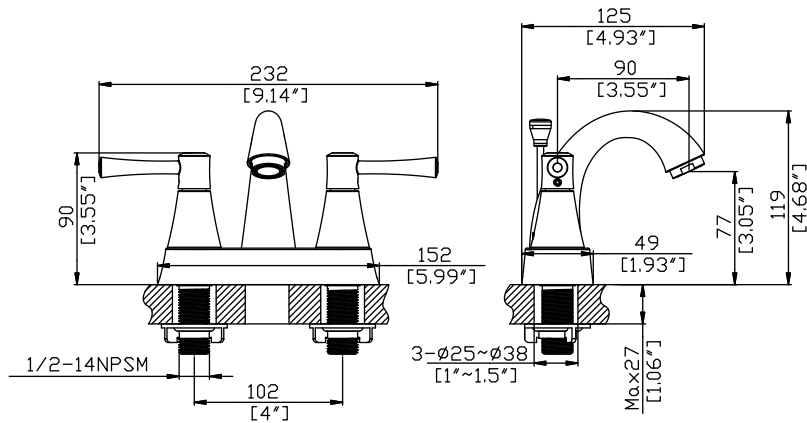


PRODUCT TECHNICAL SHEET

PC-DAISY-CH/SN/ORB 4" TWO-HANDLE LAVATORY FAUCET



DIMENSIONS



■ For Reference only (unit = mm[inch])

TECHNICAL DETAILS

Please read the followings before installing and usage.

1 Description

- Metal handles
- Zinc die cast housing
- Ceramic disc Cartridges
- Solid brass Spout

3 Certificate



2 Technique Parameter

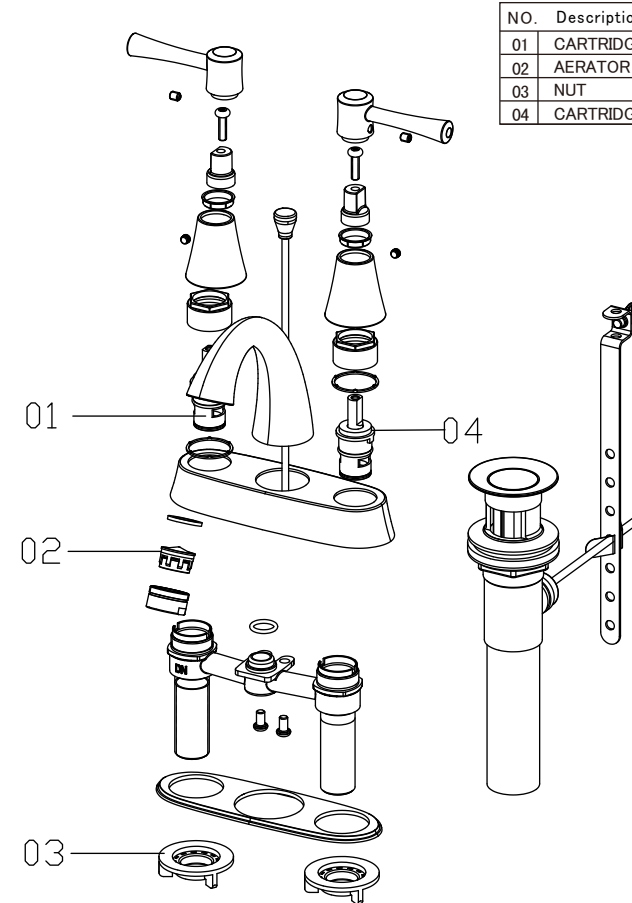
Parameter	Water Pressure	Water Temperature
Market		
ASME A112.18.1/ CSA B125.1	20-80PSI	10-65°C
EN817	0.1-0.5MPa	10-65°C

4 Surface maintenance

Remove any surface dirt and film using clean water and cotton cloth.
 Spray cleaner such as mild liquid detergents, clear liquid glass cleaner, non-acidic and fully dissolved powder cleaners or non-abrasive liquid polishers on the rag to clean the faucet surface.
 Once clean, rinse faucet again with clear water to thoroughly remove cleaner and dry with soft cotton cloth.

EXPLODED DRAWING

Please read the followings before installing and usage.



NO.	Description	Part No.	Qty
01	CARTRIDGE	ATBA0128	1
02	AERATOR	ATBX0096	1
03	NUT	CTNP0011	2
04	CARTRIDGE	ATBA0127	1

■ Notes: For reference only. We reserve the right to make changes without any notice.



Professional Home Supply, LLC.
 4986 113th Ave. N Clearwater. FL 33760
 (727) 433-8776
www.prohs.com