



## 80331-xx - Single Hole Lavatory

### Description

- Single hole lavatory with deck plate
- Metal lever handle
- Lift and turn ceramic disc cartridge
- Brass pop-up
- Use with or without deck plate
- 1.5 GPM ASME compliant

### Standards

- Complies with IAPMO UPC/cUPC
- California AB1953 compliant
- NSF - 61-9 tested and compliant
- ADA Accessibility Guidelines for Buildings and Facilities - 4.27.4 Controls and Mechanisms
- CALGreen compliant
- EPA WaterSense Certified by IAPMO R&T



### Colors / Finishes

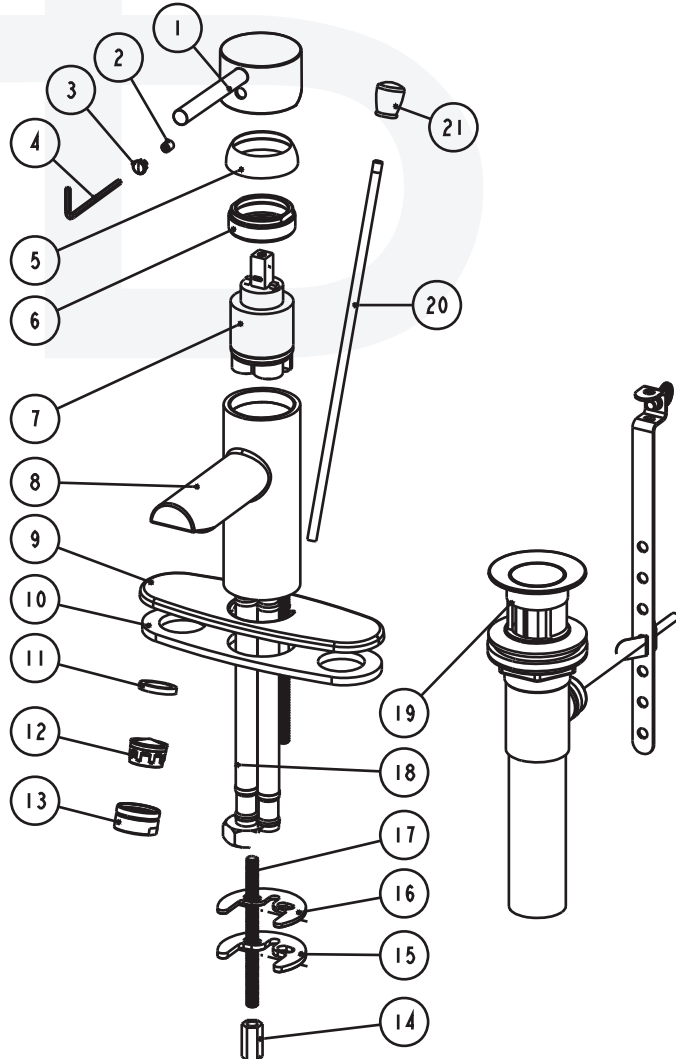
- 01 - Chrome
- 72 - PVD Satin Nickel

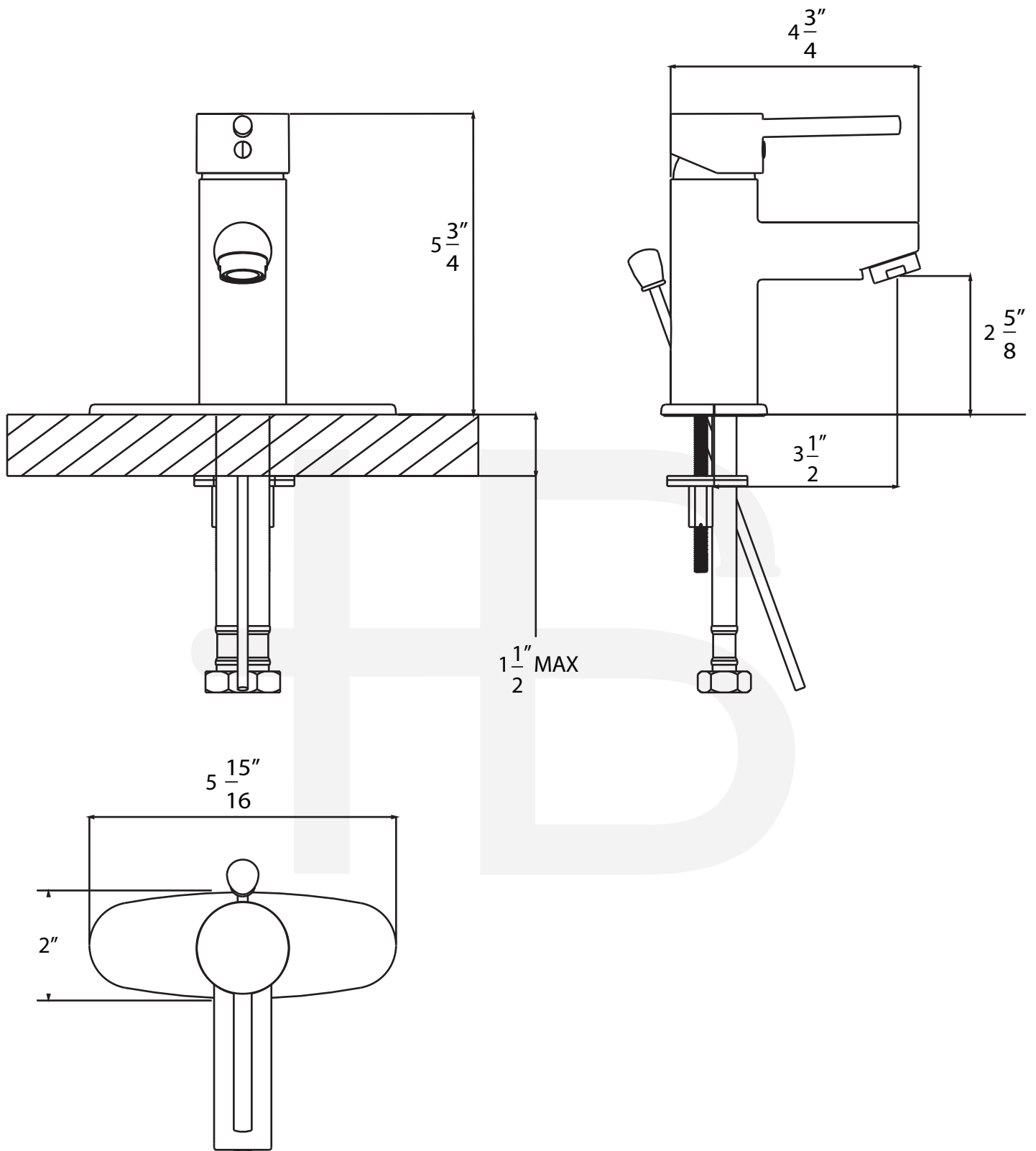


• 80331-xx

## BREAK DOWN Component Parts List

NO.	Part No	Qty
01	CTHZ0281	1
02	CTST0117	1
03	CTCP0072	1
04	CCQT0002	1
05	CTCP0366	1
06	CTKB0107	1
07	ATBA0134	1
08	CTYN0040	1
09	CTKB0091	1
10	CTWP0219	1
11	CTWR0254	1
12	ATBX0040	1
13	CTXB0053	1
14	CTNB0063	2
15	CTKL0001	1
16	CTWR0199	1
17	CTST0013	2
18	ATBP0068	2
19	ATAA0067	1
20	CTMB0017	1
21	CTHB0016	1





Item Number	Type	Date
80331-xx	Single Hole Lavatory	3/10/2011