



# Center Set Faucet 12331-xx

## Description

- Metal lever handle
- "Reliaflo" 4" center set lavatory faucet
- Zinc die cast housing
- Ceramic disc cartridge
- Brass pop-up
- 1/2" NPS connections
- 1.5 GPM ASME compliant

## Standards

- Complies with IAPMO UPC/cUPC
- California AB1953 compliant
- NSF - 61-9 tested and compliant
- ADA Accessibility Guidelines for Buildings and Facilities - 4.27.4 Controls and Mechanisms
- CALGreen compliant
- EPA WaterSense Certified by IAPMO R&T



12331-xx

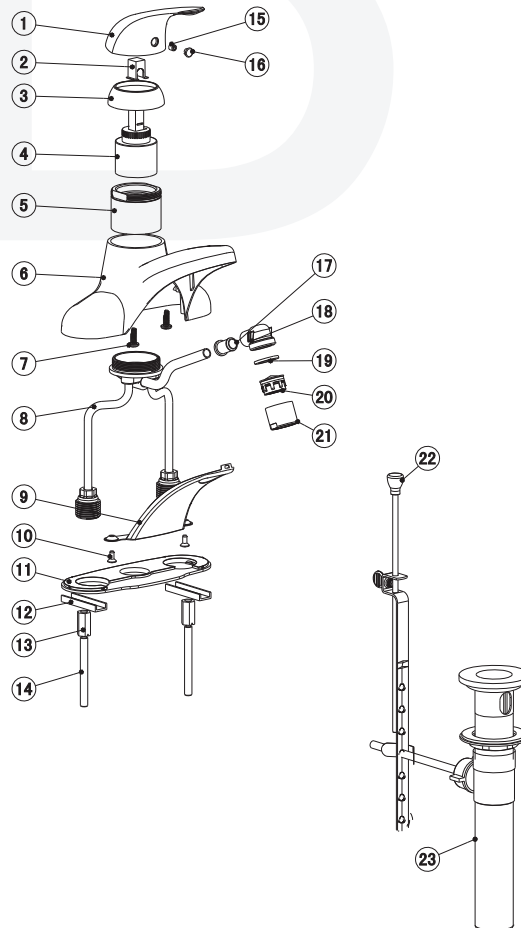


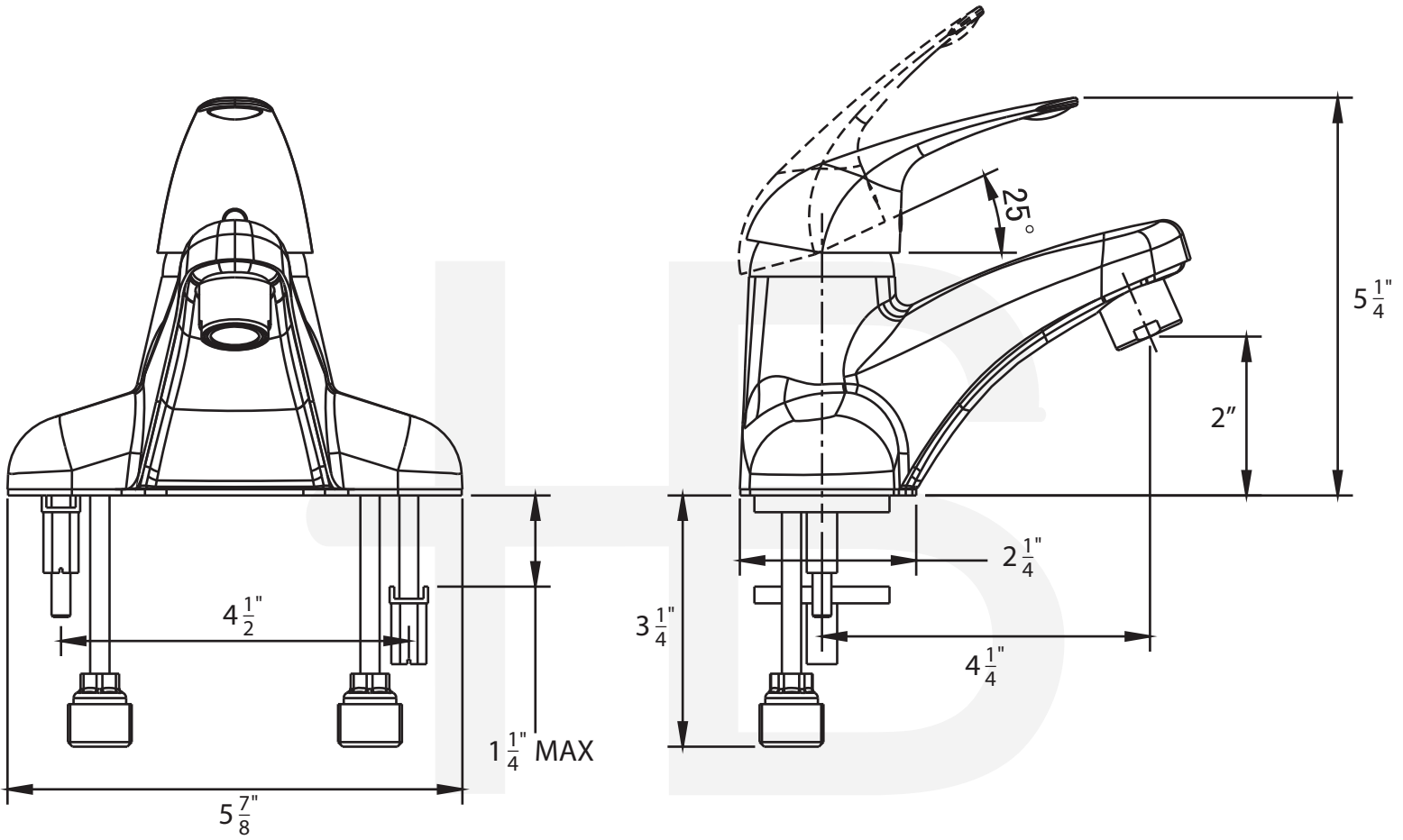
## Colors / Finishes

- 01 - Chrome
- 72 - PVD Satin Nickel

## BREAK DOWN Component Parts List

| NO. | Part No  | Qty |
|-----|----------|-----|
| 01  | CTHZ0312 | 1   |
| 02  | CTKP0020 | 1   |
| 03  | CTCP0192 | 1   |
| 04  | ATBA0121 | 1   |
| 05  | CTCT0050 | 1   |
| 06  | CTCZ0175 | 1   |
| 07  | CTST0082 | 2   |
| 08  | ATBY1011 | 1   |
| 09  | CTCT0049 | 1   |
| 10  | CTST0014 | 2   |
| 11  | CTKP0130 | 1   |
| 12  | CTKT0012 | 2   |
| 13  | CTNB0063 | 2   |
| 14  | CTST0011 | 2   |
| 15  | CTST4101 | 1   |
| 16  | CTCP0072 | 1   |
| 17  | CTWR0234 | 1   |
| 18  | CTFP0012 | 1   |
| 19  | CTWR0021 | 1   |
| 20  | ATBX0040 | 1   |
| 21  | CTXB0056 | 1   |
| 22  | ATBM0022 | 1   |
| 23  | ATAA0067 | 1   |





| Item Number | Type       | Date      |
|-------------|------------|-----------|
| 12331-00    | Center Set | 2/24/2011 |